

iSC GmbH  
Customer Service  
Eschenstraße 6  
94405 Landau/Isar

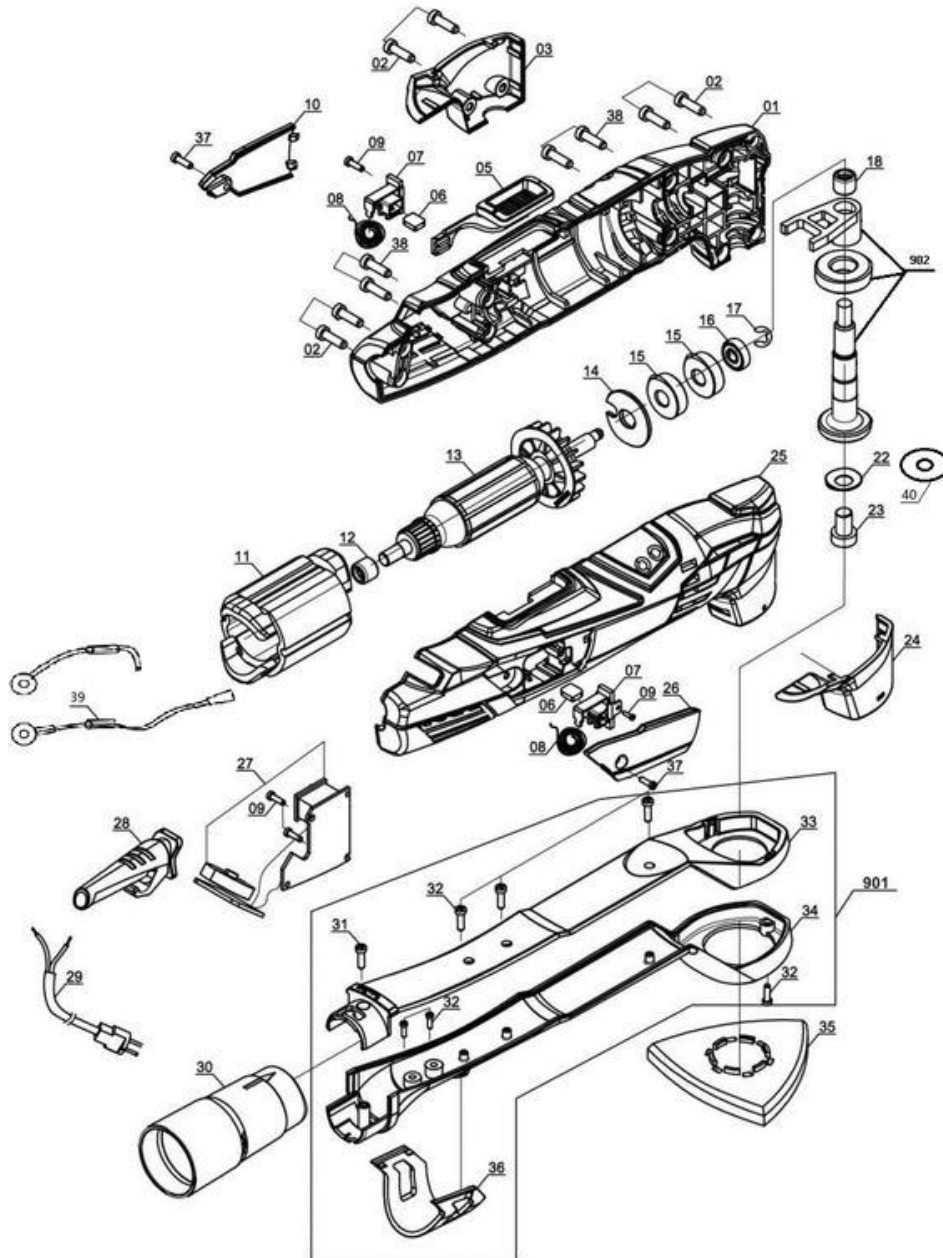
Telephone:  
Email:

+49 9951 959 2019  
service-de@einhell.com



Multifunctional Tool  
TE-MG 200 CE

Article number: 4465040  
Ident number: 21071



## Spare parts

Pos	Art.	Ident number	Product Name
001	446504005001	00000	left housing
002	446504005002	00000	Self tapping screws ST4.2x13-F
003	446504005003	00000	left trim cover
005	446504005005	00000	Switch plate
006	446504005006	00000	5x8x13 Carbon brush
007	446504005007	00000	5x8x13 brush holder Component
008	446504005008	00000	5x8x13 Scroll spring brush
009	446504005009	00000	Self tapping screws ST2.9x8-F
010	446504005010	00000	Left carbon brush cover
011	446504005011	00000	stator
012	446504005012	00000	Needle bearing HK0709
013	446504005013	00000	rotor
014	446504005014	00000	Balance block
015	446504005015	00000	608-2RS bearing
016	446504005016	00000	Ball bearing 625-R8
017	446504005017	00000	Circlip for shaft 5
018	446504005018	00000	Needle bearing HK0608
022	446504005022	00000	Dish washer F8.4xF18x1.8
023	446504005023	00000	Inner six angle cylinder head
024	446504005024	00000	right trim cover
025	446504005025	00000	right housing
026	446504005026	00000	right carbon brush cover
027	446504005027	00000	Circuit board Component
028	446504005028	00000	Support cable sleeve
029	446504005029	00000	power cable
030	446504005030	00000	Vaccum adaptor
035	446504005035	00000	Triangular sand board
037	446504005037	00000	Self tapping screws ST3.5x9.5-
038	446504005038	00000	Self tapping screws ST4.2x16-
039	446504005039	00000	Inductor
040	446504005040	00000	Dish washer F8.4xF26x2.5
099	446504007099	00000	color box
801	446504005801	00000	scraper
802	446504005802	00000	SS saw blade plastic/wood
803	446504005803	00000	hexagon key
804	446504005804	00000	sandingpaper set (6pcs)
901	446504005901	00010	Vacuuming Pipe assy.
902	446504005902	00010	Chuck assembly

Vacuuming Pipe assy.

Article number: 446504005901  
Ident number: 00010

## Spare parts

Pos	Art.	Ident number	Product Name
031	446504005031	00000	Self tapping screws ST2.9x16-F
032	446504005032	00000	Self tapping screws ST2.4x4.8-
033	446504005033	00000	Vaccum cover
034	446504005034	00000	Vaccum tube
036	446504005036	00000	Vaccum cover clamp

Chuck assembly

Article number: 446504005902  
Ident number: 00010

## Spare parts

Pos	Art.	Ident number	Product Name
019	446504005019	00000	Fork
020	446504005020	00000	6001-2RS bearing
021	446504005021	00000	Output shaft